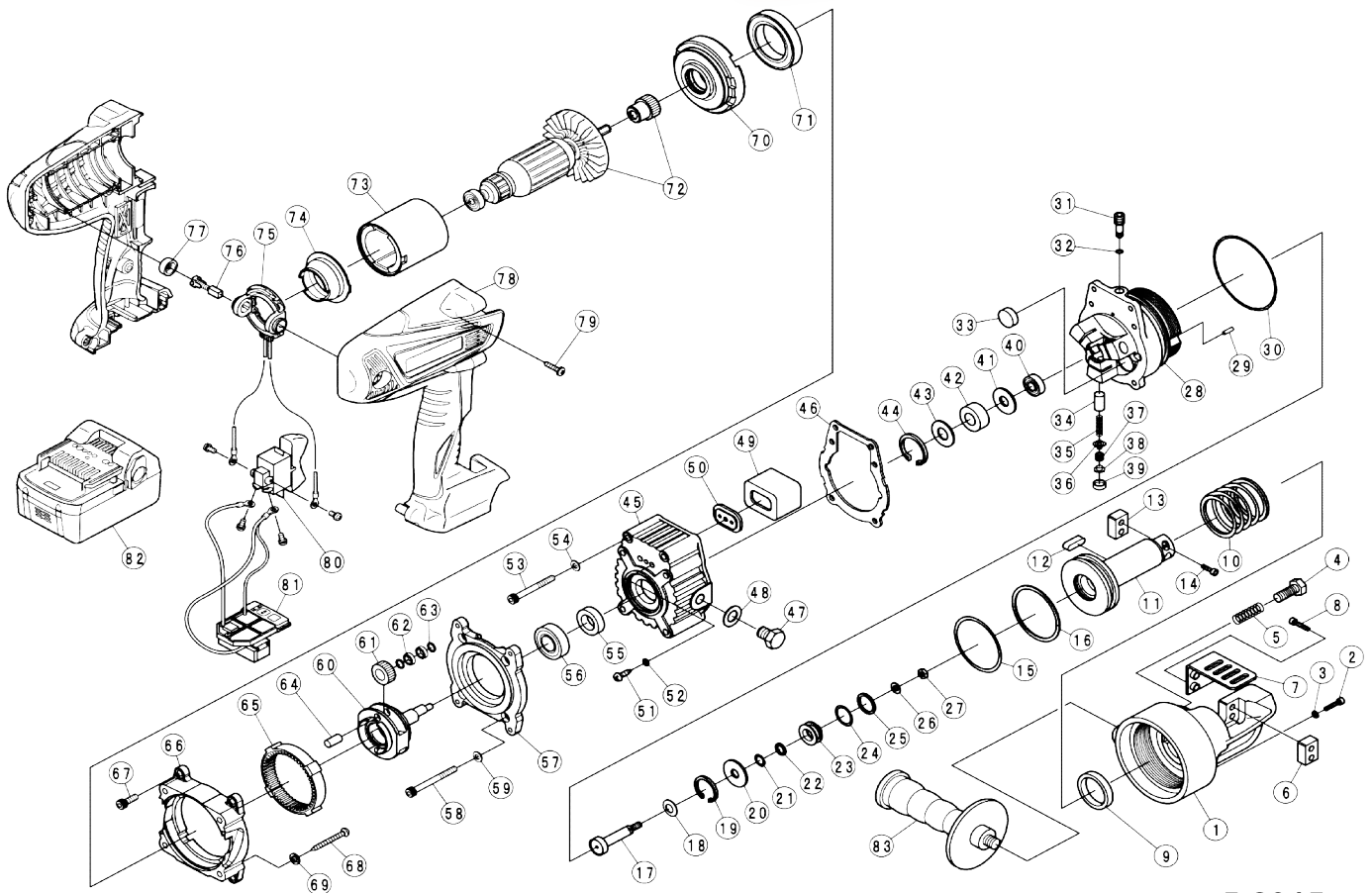


DCC-1618HL Portable Rebar Cutter Parts Guide



5-2015

DCC-1618HL Portable Rebar Cutter Parts Guide

| No. | Part No. | Part name |
|-----|--------------|--------------------------|
| 1 | 1C2059501 | HOUSING |
| 2 | 7CB05035 | CAP BOLT M5X35MM |
| 3 | 7WF05 | SEAL WASHER WF5 |
| 4 | 7B10025T11 | HEXAGON BOLT M10X25MM |
| 5 | 1C4079400 | LOCK SPRING |
| 6 | 1CL003 | CUTTER BLOCK NO. 13L |
| 7 | 1C4199500 | GUARD |
| 8 | 7CB205022 | CAP BOLT M5X22MM |
| 9 | 7USI26 | PACKING USI26 |
| 10 | 1C4139602 | RETURN SPRING |
| 11 | 1C3097800 | PISTON |
| 12 | 7K0606023R2H | KEY 6X6X23MM |
| 13 | 1CL003 | CUTTER BLOCK NO. 13L |
| 14 | 7CB205015 | CAP BOLT M5X15MM |
| 15 | 7ORP49RF | O RING P49RF |
| 16 | 7BRP49B | BACKUP RING P49 |
| 17 | 1C4138501 | RETURN VALVE |
| 18 | 7BW008 | SPRING WASHER M8 |
| 19 | 7SRH026 | SNAP RING |
| 20 | 1CB4104002 | GUIDE CLAMP |
| 21 | 7SPNC8 | PACKING SPNC8 |
| 22 | 7BRP8B | BACKUP RING P8T2 |
| 23 | 1C4152300 | RETURN VALVE GUIDE |
| 24 | 7ORP16 | O RING P16 |
| 25 | 7BRP16B | BACKUP RING P16T2 |
| 26 | 7SPW005 | PLATE WASHER S5 |
| 27 | 7NU005 | U NUT 5 |
| 28 | 1C2044601 | CYLINDER |
| 29 | 7SP03010 | SPRING PIN M3X10MM |
| 30 | 7ORG70RF | O RING G70RF |
| 31 | 1C4196500 | RELEASE VALVE |
| 32 | 7ORS4 | O RING S4 |
| 33 | 3P1044 | MAGNET FILTER |
| 34 | 1C4103200 | RAM |
| 35 | 1C4197100 | CAP BOLT M5X22MM |
| 36 | 1C197301 | DELIVERY VALVE |
| 37 | 1C1331 | DELIVERY VALVE SPRING |
| 38 | 1C13352 | SPRING GUIDE |
| 39 | 1C13292 | PUMP HEAD SEAL |
| 40 | 7635 | BEARING 635 |
| 41 | 1C4103000 | BEARING GUIDE |
| 42 | 7RNAF81510 | NEEDLE BEARING RNAF81510 |
| 43 | 1C4137200 | BEARING GUIDE 2 |

| No. | Part No. | Part name |
|-----|-------------|--------------------------|
| 44 | 7SRH020 | SNAP RING |
| 45 | 1C2044700 | PUMP CASE |
| 46 | 1C4143403 | PUMP CASE PACKING |
| 47 | 7B10010 | HEXAGON BOLT M10X10MM |
| 48 | 7WF10 | SEAL WASHER WF10 |
| 49 | 1C4137300 | AIR BAG |
| 50 | 1C4137400 | AIR BAG NUT |
| 51 | 7NT04012 | TAPPING SCREW M4X12MM |
| 52 | 7SW004 | SPRING WASHER M4 |
| 53 | 7CB05045 | CAP BOLT M5X45MM |
| 54 | 7GW005 | TEETHED WASHER M5 |
| 55 | 7SC12257 | OIL SEAL SC 12-25-7 |
| 56 | 76901ZZ | BEARING 6901ZZ |
| 57 | 1C3130300 | DISTANCE PIECE |
| 58 | 7CB05050 | CAP BOLT M5X50MM |
| 59 | 7GW005 | TEETHED WASHER M5 |
| 60 | 1C3130100 | CAM SHAFT |
| 61 | 1C4256201 | IDLE GEAR 22 |
| 62 | 7WA677ZZA | MINIATURE BEARING 7-11-3 |
| 63 | 1C4258600 | IDLE GEAR COLLAR 9x7x1t |
| 64 | 7HTK333806B | NEEDLE ROLLER A |
| 65 | 7HTK333807B | RING GEAR |
| 66 | 1C3130200 | DISTANCE PIECE M |
| 67 | 7CB205015 | CAP BOLT M5X15MM |
| 68 | 7NT05060 | TAPPING SCREW M5X60MM |
| 69 | 7SW005 | SPRING WASER M5 |
| 70 | 1C4255900 | INNER COVER |
| 71 | 7HTK334310B | BEARING 61907 (GB) |
| 72 | 1C4256100AS | ARMATURE |
| 73 | 7HTK333796B | MAGNET |
| 74 | 7HTK333797B | DUST GUARD FIN |
| 75 | 7HTK334311B | BRUSH HOLDER |
| 76 | 7HTK999100B | CARBON BRUSH SET |
| 77 | 7HTK319847B | BRUSH CAP |
| 78 | 1C3130000 | MOTOR HOUSING SET |
| 79 | 7HTK301653B | TAPPING SCREW D4X20 |
| 80 | 7HTK333795B | SWITCH |
| 81 | 7HTK334313B | TERMINAL PIECE SET |
| 82 | 330067 | BATTERY PACK BSL1830 |
| 83 | 1C1627 | SIDE HANDLE |
| | | |
| | UC18YKSL | CHARGER UC18YSL2 |
| | 7CSP109 | PLASTIC CASE |