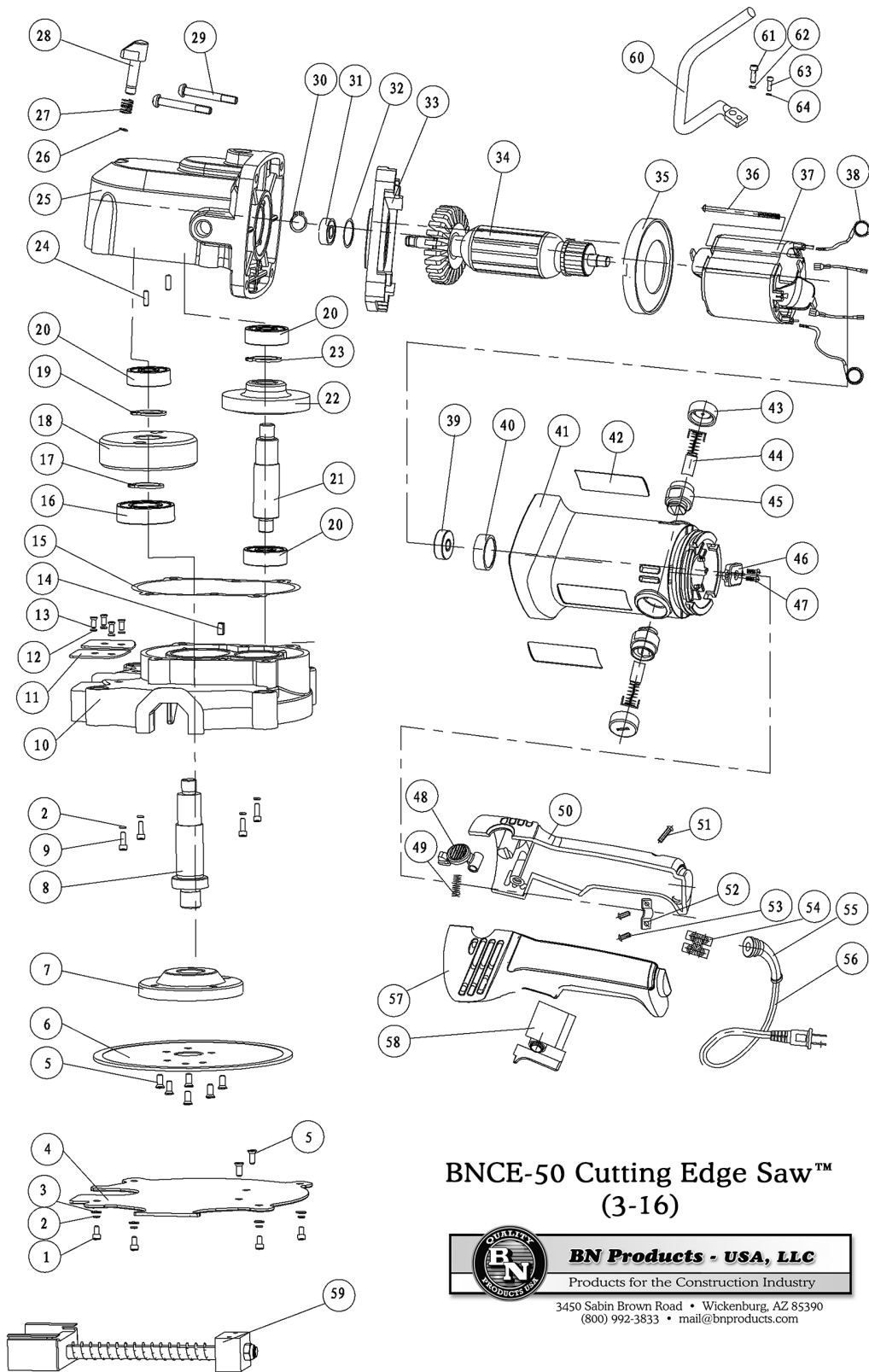


BNCE-50 Cutting Edge Saw<sup>™</sup>  
Parts Manual





## BNCE-50 Cutting Edge Saw™ (3-16)



3450 Sabin Brown Road • Wickenburg, AZ 85390  
(800) 992-3833 • mail@bnproducts.com

## Parts List for BNCE-50

No.	Part	Parts Name	Qty
1	BNCEP50-1	Hexagon Socket Head Cap Head Screw-M5x16	4
2	BNCEP-8	Spring Lock Washer-5mm	8
3	BNCEP-9	Plain Washer-5mm	4
4	BNCEP50-04	Blade Cover for Fiture B	1
5	BNCEP-71	Hexagon Socket Countersunk Head Bolt-M5x8	8
6	RB-BNCE-50	Blade for Ferrous Metal	1
7 & 8	BNCEP50-07	Hub and Cutting Blade Spindle	1
9	BNCEP-07	Hexagon Socket Head Cap Head Screw-M5x30	4
10	BNCEP50-10	Blade Housing	1
11	BNCEP50-11	Left and Right Rubber Plate	2
12	BNCEP-22	Plain Washer-4mm	4
13	BNCEP50-13	Cross Recess Pan Head Screw-M4x8	4
14	BNCEP-78	Flat Key-5x5x14	1
15	BNCEP-12	Gasket Seal	1
16	BNCEP-25	Ball Bearing-6002-2RS	1
17	BNCEP-26	Spacer	1
18	BNCEP50-18	Big Gear	1
19	BNCEP-28	Shaft Clip-15	1
20	BNCEP-13	Ball Bearing-628-2Z	3
21	BNCEP-14	Gear Shaft	1
22	BNCEP50-22	Bevel Gear	1
23	BNCEP50-23	Spacer	1
24	BNCEP-29	Pin-A5x16	2
25	BNCEP50-25	Alunmium Gear Box Housing	1
26	BNCEP-31	Steel Ring	1
27	BNCEP-32	Sprin for Lock Button	1
28	BNCEP-33	Blade Locking Button	1
29	BNCEP-34	Six Flower Shaped Pan Head Tapping Screws-ST4.2x32	4
30	BNCEP50-30	Shaft Clip-10	1
31	BNCEP-37	Ball Bearing-6000-2Z	1
32	BNCEP-38	O-Ring-25x2	1
33	BNCEP-39	Diaphragm	1
34	BNCEP50-34	Aramture	1

No.	Parts	Parts Name	Qty
35	BNCEP-43	Fan Guide	1
36	BNCEP-44	Cross Recessed Pan Head Tapping Screw-ST4.2x70	2
37	BNCEP-45	Stator	1
38	BNCEP-46	Electrical Connector	2
39	BNCEP-41	Ball Bearing-607-2RS	1
40	BNCEP-42	Bearing Bush	1
41	BNCEP-47	Electrical Housing	1
42	BNCEP-48	Name Plate	2
43	BNCEP-51	Brush Cap	2
44	BNCEP-50	Carbon Brush	1
45	BNCEP-49	Brush Holder	2
46	BNCEP-52	Inner Wire Retaining	1
47	BNCEP-53	Cross Recessed Pan Head Tapping Screw-ST2.9x9.5	2
48	BNCEP-54	Rotation Button for Handle	1
49	BNCEP-55	Spring for Rotation Button	1
50	BNCEP-59	Right Handle	1
51	BNCEP-60	Six Flower Shaped Pan Head Tapping Screws-ST4.2x16	4
52	BNCEP-58	Cord Retaining	1
53	BNCEP-57	Cross Recessed Pan Head Tapping Screw-ST4.2x13	2
54	BNCEP-63	Terminal	1
55	BNCEP-62	Cord Armor	1
56	BNCEP-61	Power Cord-120V	1
57	BNCEP-64	Left Handle	1
58	BNCEP-56	Trigger Switch	1
59	BNCEP50-59	Fixture B	1
60	BNCEP50-60	Help Handle	1
61	BNCEP50-61	Hexagon Socket Head Cap Head Screw-M8x16	1
62	BNCEP50-62	Spring Lock Washer-8mm	1
63	BNCEP50-63	Hexagon Socket Head Cap Head Screw-M6x16	1
64	BNCEP50-64	Spring Lock Washer-6mm	1

## The Cutting Edge Saws™



**BNCE-20 The Original Cutting Edge Saw™** A multipurpose cutting tool. It can easily cut #6 (3/4") rebar, all-thread rod, chain, EMT conduit, copper pipe, steel rods, steel tubing, and much more. This AC powered hand-held tool is lightweight and features a three position handle. The capacity of the opening is .875" (23.62mm). This tool is ETL Listed and is excellent for cutting rebar or bolts near flush with concrete or block construction.



**BNCE-20-24V Cutting Edge Saw™** This is a 24V battery-operated multipurpose cutting tool. Like the corded model above, it can easily cut #6 (3/4") rebar, all-thread rod, chain, EMT conduit, copper pipe, steel rods, steel tubing, and much more. It also features a three position handle. The capacity of the opening is .875" (23.62mm). This tool comes complete with two (2) Li-Ion batteries and charger.



**BNCE-30 Cutting Edge Saw™** A multipurpose cutting tool. It can easily cut #8 (1") rebar, all-thread rod, chain, EMT conduit, copper pipe, steel rods, steel tubing, and much more. This AC powered hand-held tool is lightweight and features a three position handle. The capacity of the opening is 1.18" (30mm). This tool is ETL Listed and is excellent for cutting rebar near flush with concrete or block construction.



**BNCE-30-24V Cutting Edge Saw™** This is a 24V battery-operated multipurpose cutting tool. Like the corded model above, it can easily cut #8 (1") rebar, all-thread rod, chain, EMT conduit, copper pipe, steel rods, steel tubing, and much more. It also features a three position handle. The capacity of the opening is 1.18" (30mm). This tool comes complete with two (2) Li-Ion Batteries and a charger.



**BNCE-50 Cutting Edge Saw™** We have upscaled the size of our standard Cutting Edge Saw™. This award-winning multipurpose cutting tool can be used on all kinds of material found on the job site. Like the original BNCE-20, this model can easily cut rebar, all-thread rod, EMT conduit, pipe, steel rods, steel tubing, and is the perfect tool for cutting strut. It features a U-shape handle. The capacity of the opening is 2" (50mm). This tool is ETL Listed.