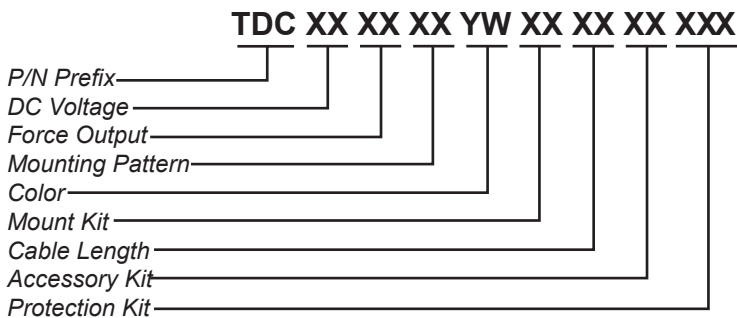


Cougar[®] DC Truck Vibrators



NOMENCLATURE



DC VOLTAGE

12: 12 Volt
24: 24 Volt

FORCE OUTPUT

11: 1100 Lbs
16: 1600 Lbs
25: 2500 Lbs
27: 2700 Lbs
32: 3200 Lbs

MOUNTING PATTERN

4M: Rectangular Pattern
2.00" x 8.00"
2V: In-line Pattern
8.50" Between Center
2M: In-line Pattern
8.00" Between Center

MOUNT KIT

MO: No Mount Kit
MA: Aluminum Mount Plate
MS: Steel Mount Plate
MB: Hardware Only

CABLE LENGTH

CO: No Cord
25: 25 ft
40: 40 ft
70: 70 ft

ACCESSORY KIT

AO: No Accessory Kit
06: #6 Kit

PROTECTION KIT

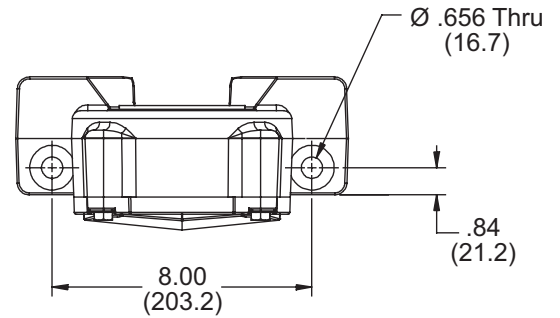
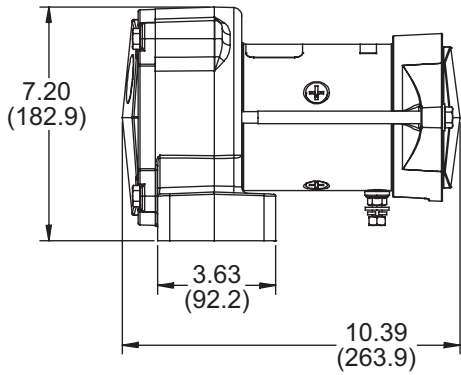
PRO: No Protection Kit
1CO: 2-Year Warranty
(circuit breaker)
3CT: 3-Year Warranty
(circuit breaker and timer)

FEATURES

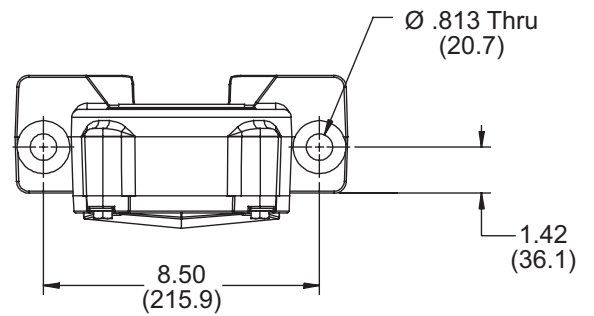
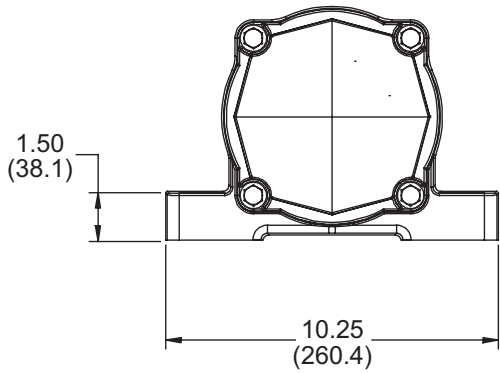
- Up to 3200 pounds of vibratory force to improve the unloading of wet, sticky, fibrous or even frozen material.
- Small, lightweight units require minimal space.
- Weather-proof aluminum housing provides high output to weight ratio.
- Sealed ball bearings eliminate lubrication requirements.
- Supplied with mounting hardware and electrical connections

Specify Cougar for:

- Cost effective solutions
- Expert technical assistance
- Complete service and support



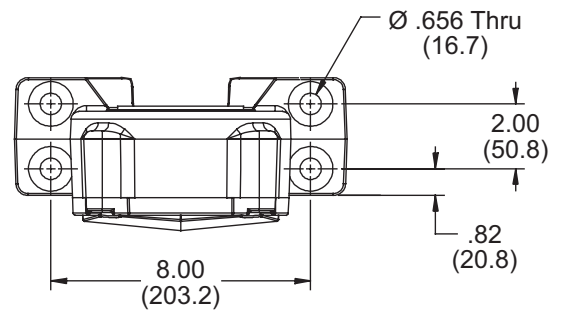
TDCXX-XXXX-2M



TDCXX-XXXX-2V

PERFORMANCE DATA

Model	Volts	Average Amps	Max Force Lbs
TDC12-1100	12	45	1100
TDC12-1600	12	46	1600
TDC12-2500	12	46	2500
TDC12-2700	12	50	2700
TDC12-3200	12	53	3200
TDC24-1100	24	29	1100
TDC24-1600	24	30	1600
TDC24-2500	24	30	2500
TDC24-2700	24	33	2700
TDC24-3200	24	36	3200



TDCXX-XXXX-4M