

PERFORMANCE DATA

Model	Part N ^o	Frequency (VPM)			Force						Air Consumption/Min					
		30 PSI	60 PSI	90 PSI	LB	N	LB	N	LB	N	CF	L	CF	L	CF	L
VDAR-2	11-60200	36,000	38,000	38,000	500	2.22	760	3.38	920	4.09	2.5	70	4.9	140	7.0	200
VDAR-3	11-60300	27,000	32,000	32,000	612	2.72	1026	4.56	1361	6.05	3.5	100	7.0	200	10.6	300
VDAR-4	11-60400	18,000	22,500	25,000	531	2.36	1037	4.61	1505	6.69	4.2	120	8.8	250	12.7	360
VDAR-5	11-60500	9,500	15,000	16,500	378	1.68	1,044	4.64	1,620	7.2	4.6	130	9.5	270	13.8	390
VDAR-6	11-60600	7,800	10,000	12,000	983	4.37	1,544	6.86	2,317	10.3	6.0	170	11.3	320	16.6	470
VDAR-7	11-60700	8,000	9,800	11,500	1,320	5.87	2,137	9.5	2,700	12	6.4	180	12.4	350	17.7	500

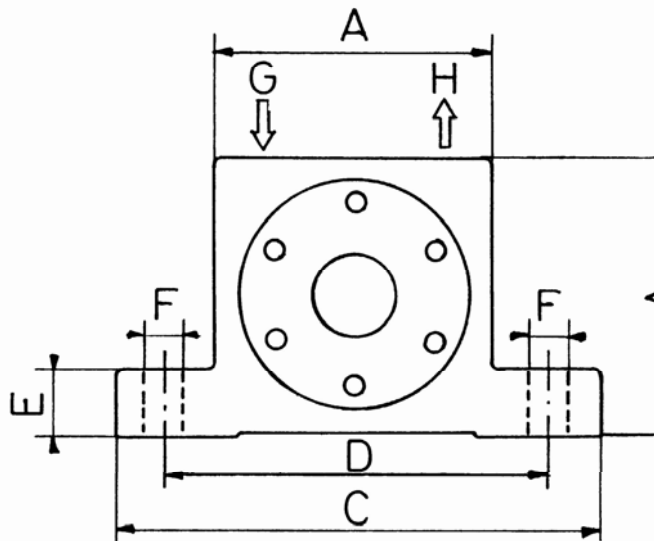
DISTRIBUTED BY:



airmatic.com
215.333.5600
infocenter@airmatic.com
284 Three Tun Rd.
Malvern, PA 19355-3981

DIMENSIONS

Model	Part N ^o	A	Width	C	D	E	F	G/H	Weight
		inch	inch	inch	inch	inch	inch	Thread BSP	Lbs
VDAR-2	11-60200	1.97	1.18	3.38	2.68	0.47	0.27	1/8"	0.82
VDAR-3	11-60300	2.56	1.42	4.45	3.54	0.63	0.35	1/4"	1.68
VDAR-4	11-60400	3.15	1.57	5.04	4.00	0.63	0.43	1/4"	2.80
VDAR-5	11-60500	3.94	2.05	6.30	5.12	0.79	0.51	3/8"	5.40
VDAR-6	11-60600	4.72	2.44	7.64	6.00	0.94	0.67	3/8"	10.35
VDAR-7	11-60700	4.72	3.03	7.64	6.00	0.94	0.67	3/8"	12.55



DISTRIBUTED BY:

AIRMATIC®
WE'LL HANDLE IT.

airmatic.com
215.333.5600
infocenter@airmatic.com
284 Three Tun Rd.
Malvern, PA 19355-3981