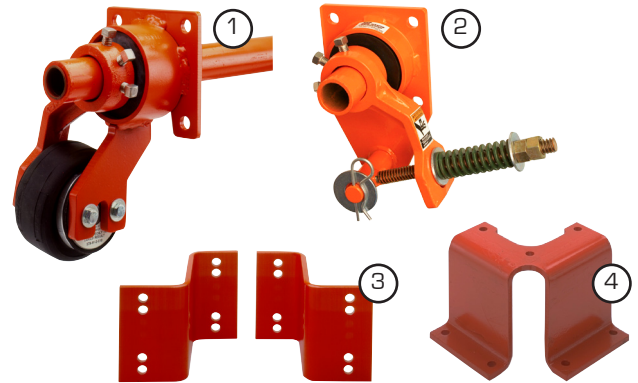


Martin® Belt Cleaner Tensioners, Mounts & Brackets

Mounts and tensioners listed here are for Martin Engineering's "standard" belt cleaning systems and are not suitable for application on **Martin® Food Grade Cleaners**. Reversing Belt Cleaners require linear mounts and tensioners.

- [1] Air Tensio
- [2] Spring Tensio
- [3] Z-Brac
- [4] Corner Flange Brac



MOUNTING BRACKETS

Item Description	Part Number	Ship Weight – lb (kg)
"L" Bracket	33706	2 [0.9]
Flange Mount Bracket	30537	20 [9.1]
Hanger Mount Assembly	27382	10 [4.5]
Reversing Hanger Mount Assembly	33288	15 [6.8]
Heavy-Duty Hanger Mount Assembly	34233-HD	19 [8.6]

REVERSING TENSIONERS

Item Description	Belt Width	Part Number	Ship Weight – lb (kg)
Reversing Mount Spring Tensioner	18-96 [400-2400]	33599	50 [22.7]
Reversing Cleaner "Z" Bracket	N/A	31158-01	8 [3.6]
Reversing Hanger Mount Assembly	N/A	33288	15 [6.8]

PRE-CLEANER TENSIONERS

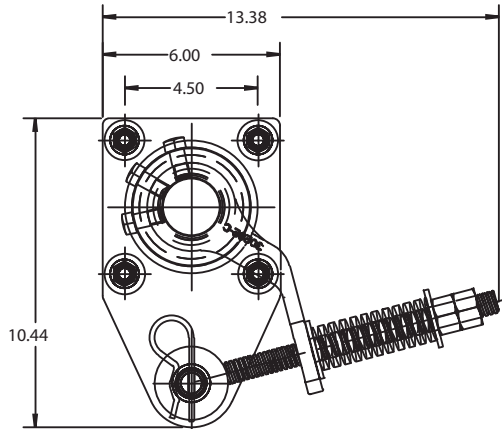
Item Description	Belt Width	Part Number	Ship Weight – lb (kg)
Shock Mount Air Paddle Tensioner	18-54 [400-1600]	32745	24 [10.9]
Dual Shock Mount Air Paddle Tensioner	60-96 [1600-2400]	32745-2R	33 [15]
Standard Duty Spring Tensioner	18-48 [400-1200]	38180	22 [10]
Dual Standard Duty Spring Tensioner	54-96 [1400-2400]	38180-2	30 [13.6]

SECONDARY CLEANER TENSIONERS

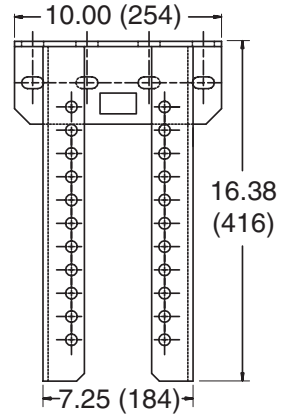
Item Description	Belt Width	Part Number	Ship Weight – lb (kg)
<i>Spring Tensioners</i>			
Adjustable "L" Bracket Spring Tensioner	18-54 [400-1600]	31291-SM	35 [15.9]
DT2 Inline Cleaner	18-120 [400-3200]	37707	69 [31.3]
DT2 Inline Cleaner XHD	18-96 [400-2400]	37806	83 [37.6]
<i>Air Tensioners</i>			
Shock Mount Air Paddle Tensioner	18-54 [400-1600]	32745	24 [10.9]
Dual Shock Mount Air Paddle Tensioner	60-96 [1600-2400]	32745-2R	33 [15]
DT2 Inline Cleaner	18-120 [400-3200]	37707-A	69 [31.3]
DT2 Inline Cleaner XHD	18-96 [400-2400]	37806-A	83 [37.6]

DIMENSIONS - in. (mm)

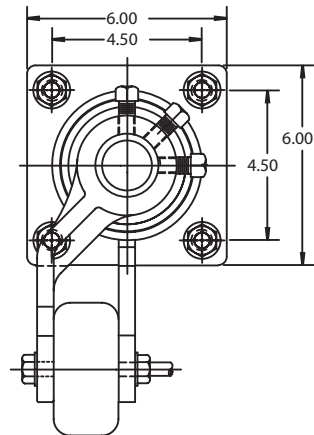
Spring Tensioner



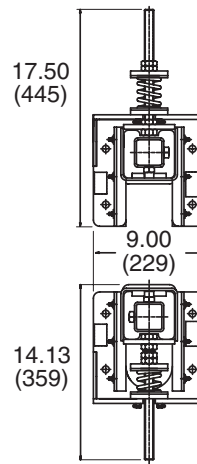
Hanger Mount



Shock Mount Air Paddle Tensioner



Reversing Mount Spring Tensioner



For information regarding:

Martin® Twist Tensioner see Form No. L3314.

Martin® Internal Spring Tensioner see Form No. L3632.

Martin® Mandrel Belt Cleaner Mount see Form No. L3343.