

## Martin® Hurricane Air Cannon

The [Martin® Hurricane Air Cannon](#) features a new valve concept that provides more force, uses less air, and simplifies installation and maintenance.

The Martin® Hurricane Air Cannon fires in response to a positive surge of air sent by a solenoid valve. This positive-acting valve delivers twice the force output while using only half the air volume than that of a standard Martin® XHV 20-30 Air Cannon.

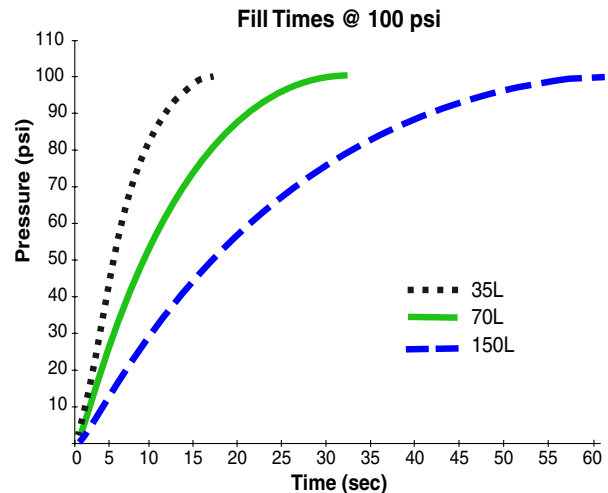
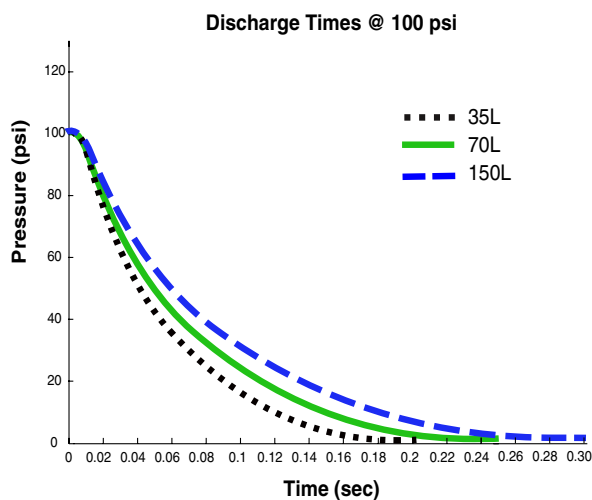
\*70 liter Hurricane Air Cannon

### BENEFITS

- More force output
- One-step maintenance
- Suitable for high-temperature applications



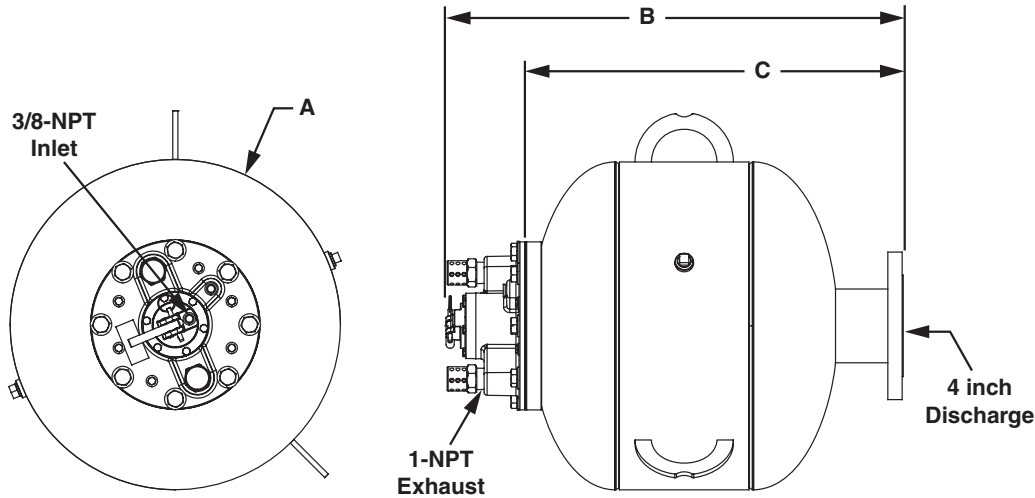
### PERFORMANCE DATA



## DIMENSIONS

Model	P/N	Dim. A in. (mm)	Dim. B in. (mm)	Dim. C in. (mm)	Shipping Weight lb (kg)
Hurricane	38005-35	16.0 (406)	25.89 (658)	21.00 (533)	94 (43)
Hurricane	38005-70	20.0 (508)	27.89 (708)	23.00 (584)	109 (49)
Hurricane	38005-150	24.0 (610)	35.64 (905)	30.75 (781)	173 (78)

NPT—National Pipe Thread



## AIR VOLUME IN FT<sup>3</sup> (LITERS) FREE AIR

Air Pressure PSI	38005-35 ft <sup>3</sup> (L)	38005-70 ft <sup>3</sup> (L)	38005-150 ft <sup>3</sup> (L)
0	1.2 (35)	2.4 (70)	5.3 (150)
40	4.6 (130)	9.2 (260)	19.7 (558)
50	5.4 (153)	10.8 (308)	23.3 (660)
60	6.2 (176)	12.5 (355)	26.9 (762)
70	7.1 (201)	14.2 (403)	30.5 (864)
80	7.9 (224)	15.9 (450)	34.1 (966)
90	8.8 (249)	17.6 (498)	37.8 (1020)
100	9.6 (272)	19.2 (546)	41.4 (1172)
110	10.4 (294)	20.9 (593)	45.0 (1274)
120	11.3 (320)	22.6 (641)	48.6 (1376)

## NOTES

Tanks for Martin® Air Cannons supplied by Martin Engineering are manufactured to ASME Code Rules, Section VIII, Division 1. Tanks are National Board registered and pressure vessel quality (PVQ).

\*\*For further information, contact Martin Engineering at 1-800-544-2947 or visit our website at [www.martin-eng.com](http://www.martin-eng.com).